



FOOD EQUIPMENT

SERVING THE FOOD INDUSTRY SINCE 1951

DOUBLE ROLL CAPACITY FLOOR WRAPPING MACHINE

Items: 47480 | Model: SE-US-200ESD6

**WRAP WITH EASE
WITH OMCAN'S FLOOR
WRAPPING MACHINE**



Film, & Side Shelves is sold separately.

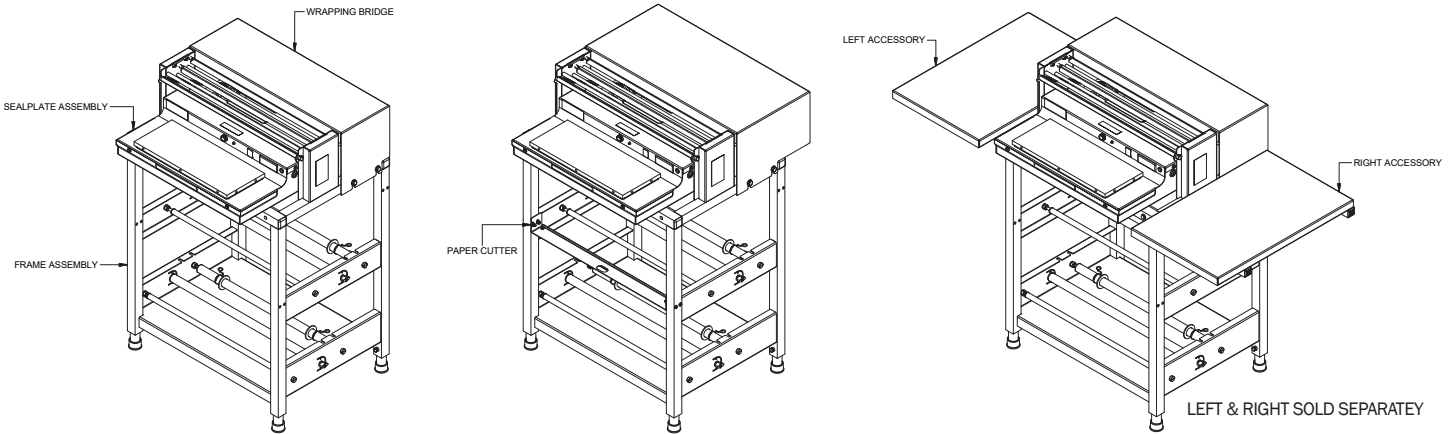


WARRANTY
PARTS AND LABOR



Authorized Dealer

TECHNICAL DRAWINGS & DIMENSIONS



TECHNICAL SPECIFICATIONS

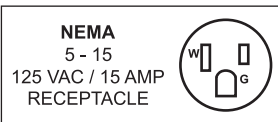
Item	47480
Model	SE-US-200ESD6
Power	132 W
Electrical	115V / 60Hz / 1Ph
Film Mount	Cradle
Film Capacity	20" (x2)
Weight	50 lbs 22.7 kg
Gross Weight	90 lbs 40.8 kg
Seal Plate Dimensions	6" x 15"
Dimensions	24" x 25" x 36"
Gross Dimensions	28" x 37" x 45"
Optional Accessories	47481: Stainless Steel Left Side Wing Shelf (14" x 22") 47481: Stainless Steel Right Side Wing Shelf (14" x 22")

FEATURES:

- Cradle mount makes changing the film easy
- Fixed Distance Photoeye to Detect All Tray Colors
- Self-Regulating Boardless Square Rod for Increased Transversal Rigidity and Consistent Cutting
- Two Color LED for Photoeye Indication is Amber to Convey Seal Plate Heating, and Red when Seal Plate Reaches Sealing Temperature
- On-Demand Timer Controlled heated Seal Plate That Significantly Reduces Power Consumption by 80%
- Seal Plate Reaches Seal Temperature Within Seconds
- Thermistor Controlled Circuit that Reduces Power Consumption as Residual heat Increases in Seal Plate
- Stainless Steel Wrapping Surface, Stainless Steel Front Plate and Rounded Stainless Steel Front Plate for Easy Wipe Down
- Rigid Aluminum and Stainless Steel Construction
- 20" Maximum Roll Width, 8" Maximum Roll Diameter
- Splash Shield, Lower Shelf



WARRANTY
PARTS AND LABOR



OMCAN INC.

Telephone: 1-800-465-0234
 Fax: (905) 607-0234
 Email: sales@omcan.com
 Website: www.omcan.com



Follow us to keep up to date with the latest news and offers

